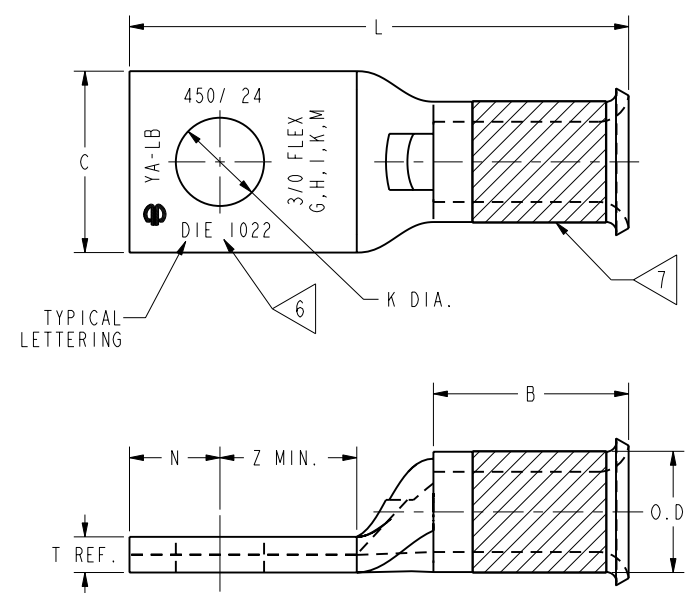


CATALOG NUMBER	COPPER CABLE									STUD SIZE [MM] [INCH]	B MIN.	C	K	L \triangleleft 10	N	O.D.	T REF.	Z MIN.	DIE INDEX	COLOR CODE	INSTALLATION TOOLING										CABLE STRIP LENGTH
	COMMERCIAL (CODE CABLE)	NAVY CABLE	FLEXIBLE/ EXTRA FLEXIBLE CABLE.																		LOCOMOTIVE CABLE	METRIC CABLE	HYDRAULIC TOOLS				DIES AND NUMBER OF CRIMPS		MY 29-1 HYTOOL™ ONE CRIMP REQUIRED	CABLE STRIP LENGTH	
			CLASS 'G'	CLASS 'H'	CLASS 'I'	CLASS 'K'	CLASS 'M'	CLASS 'N'	CLASS 'O'														DIE TYPE	Y35 \triangleleft 3	Y39, Y750 PAT750 \triangleleft 3	Y45 \triangleleft 3 4	Y46 \triangleleft 3 5	CU TERMINAL SETTING			
YA8CLB	8 STR	N23(7)	--	--	--	--	--	--	--	10	11.2 [.44]	10.4 [.41]	5.03 [.198]	28.4 [.112]	5.1 [.20]	6.9 [.27]	2.0 [.08]	7.19 [.283]	4.9	\triangleleft 1	DIE SET	UBCRT 1	UBCRT 1	UBCRT 1	UBCRT 1	8	--	11.2 [7/16]			
YA5CLB	5 STR	N30(19)	--	--	--	--	--	--	--	M6 [1/4]	20.6 [.81]	11.2 [.44]	6.91 [.272]	43.9 [.173]	7.9 [.31]	7.6 [.30]	1.8 [.07]	8.33 [.328]	7	BLUE	DIE SET	UBCRT 1	UBCRT 1	UBCRT 1	UBCRT 1	6	--	22.4 [7/8]			
YA4CLB	4 STR	N40(13)	--	--	--	--	--	--	--	M6 [1/4]	20.6 [.81]	12.7 [.50]	6.91 [.272]	43.9 [.173]	7.9 [.31]	8.6 [.34]	2.3 [.09]	8.33 [.328]	8	GRAY	DIE SET	UBCRT 1	UBCRT 1	UBCRT 1	UBCRT 1	4	--	22.4 [7/8]			
YA3CLB	3 STR	N50(19)	--	--	--	--	--	--	--	M8 [5/16]	22.4 [.88]	14.0 [.55]	8.41 [.331]	48.8 [.192]	8.6 [.34]	9.7 [.38]	2.3 [.09]	9.12 [.359]	9	WHITE	DIE SET	UBCRT 1	UBCRT 1	UBCRT 1	UBCRT 1	3-2	--	23.9 [15/16]			
YA2CLB	2 STR	N60(37)	--	--	--	--	--	--	--	M8 [5/16]	22.1 [.87]	15.5 [.61]	8.41 [.331]	49.3 [.194]	8.6 [.34]	10.7 [.42]	2.8 [.11]	9.12 [.359]	10	BROWN	DIE SET	UBCRT 1	UBCRT 1	UBCRT 1	UBCRT 1	3-2	--	23.9 [15/16]			
YA1CLB	1 STR	N75(37)	--	--	--	--	--	--	--	M8 [5/16]	22.1 [.87]	17.3 [.68]	8.41 [.331]	50.0 [.197]	8.6 [.34]	11.7 [.46]	2.5 [.10]	9.12 [.359]	11	GREEN	DIE SET	UBCRT 1	UBCRT 1	UBCRT 1	UBCRT 1	1	--	23.9 [15/16]			
YA25LB	1/0 STR	N100(61)	--	--	--	--	--	--	--	M10 [3/8]	22.1 [.87]	19.1 [.75]	8.41 [.331]	51.3 [.202]	8.6 [.34]	13.0 [.51]	3.0 [.12]	9.12 [.359]	12	PINK	DIE SET	UBCRT 1	UBCRT 1	UBCRT 1	UBCRT 1	1/0	--	23.9 [15/16]			
YA26LB	2/0 STR	N125(61)	--	--	--	--	--	--	--	M10 [3/8]	23.6 [.93]	21.1 [.83]	10.11 [.398]	57.4 [.226]	10.4 [.41]	14.2 [.56]	3.0 [.12]	10.7 [.420]	13	BLACK	DIE SET	UBCRT 1	UBCRT 1	UBCRT 1	UBCRT 1	2/0	--	25.4 [1]			
YA27LB	3/0 STR	N150(61)	--	--	--	--	--	--	--	M12 [1/2]	25.1 [.99]	23.1 [.91]	13.34 [.525]	66.3 [.262]	13.5 [.53]	15.7 [.62]	3.0 [.12]	13.89 [.547]	14	ORANGE	DIE SET	UBCRT 1	UBCRT 1	UBCRT 1	UBCRT 1	3/0	--	26.9 [1-1/16]			
YA28LB	4/0 STR	N200(61)	--	--	--	--	--	--	--	M12 [1/2]	24.9 [.98]	25.9 [.102]	13.34 [.525]	67.8 [.267]	13.5 [.53]	17.5 [.69]	3.6 [.14]	13.89 [.547]	15	PURPLE	DIE SET	UBCRT 1	UBCRT 1	UBCRT 1	UBCRT 1	4/0	--	26.9 [1-1/16]			
YA29LB	250 kcmil	N250(61)	--	--	--	--	--	--	--	M12 [1/2]	26.4 [1.04]	28.2 [1.11]	13.34 [.525]	70.4 [.277]	13.5 [.53]	19.1 [.75]	4.1 [.16]	13.89 [.547]	16	YELLOW	DIE SET	UBCRT 1	UBCRT 1	UBCRT 1	UBCRT 1	250	--	26.9 [1-1/16]			
YA30LB	300 kcmil	N300(91)	--	--	--	--	--	--	--	M16 [5/8]	26.4 [1.04]	30.5 [1.20]	13.34 [.525]	71.6 [.282]	13.5 [.53]	20.6 [.81]	4.1 [.16]	13.89 [.547]	17	WHITE	DIE SET	UBCRT 2	UBCRT 2	UBCRT 2	UBCRT 2	--	--	28.4 [1-1/8]			
YA31LB	350 kcmil	N350(91)	--	--	--	--	--	--	--	M16 [5/8]	27.9 [1.10]	32.8 [1.29]	13.34 [.525]	74.4 [.293]	13.5 [.53]	22.4 [.88]	4.6 [.18]	13.89 [.547]	18	RED	DIE SET	UBCRT 2	UBCRT 2	UBCRT 2	UBCRT 2	--	--	30.2 [1-3/16]			
YA32LB	400 kcmil	N400(27)	--	--	--	--	--	--	--	M16 [5/8]	29.7 [1.17]	35.6 [1.40]	17.48 [.688]	84.1 [.331]	16.8 [.66]	24.1 [.95]	4.8 [.19]	17.0 [.67]	19	BLUE	DIE SET	UBCRT 2	UBCRT 2	UBCRT 2	UBCRT 2	--	--	31.8 [1-1/4]			
YA34LB	500 kcmil	--	300 kcmil (259 STR)	300 kcmil (427 STR)	300 kcmil (735/24)	300 kcmil (2989/30)	300 kcmil (7581/34)	313.1 kcmil (775/24)	--	M16 [5/8]	34.3 [1.34]	38.6 [1.52]	17.48 [.688]	90.4 [.356]	16.8 [.66]	26.9 [.106]	5.8 [.23]	17.0 [.67]	20	BROWN	DIE SET	UBCRT 2	UBCRT 2	UBCRT 2	UBCRT 2	--	--	36.6 [1-7/16]			
YA36LB	600 kcmil	--	350 kcmil (259 STR)	350 kcmil (427 STR)	350 kcmil (882/24)	350 kcmil (3458/30)	350 kcmil (8806/34)	373.7 kcmil (925/24)	--	M16 [5/8]	42.2 [1.66]	42.9 [1.69]	17.5 [.69]	97.3 [3.83]	22.4 [.88]	30.0 [.118]	6.4 [.25]	22.1 [.87]	22	GREEN	DIE SET	UBCRT 2	UBCRT 2	UBCRT 2	UBCRT 2	--	--	44.5 [1-3/4]			
YA38LB	700 kcmil	--	400 kcmil (259 STR)	400 kcmil (427 STR)	400 kcmil (1127/24)	450 kcmil (4522/30)	450 kcmil (1396/34)	444.4 kcmil (1100/24)	--	M16 [5/8]	47.0 [1.85]	46.0 [1.81]	17.5 [.69]	109.5 [4.31]	22.4 [.88]	31.8 [.125]	6.9 [.27]	22.1 [.87]	400	PINK	DIE SET	UBCRT 2	UBCRT 2	UBCRT 2	UBCRT 2	--	--	49.3 [1-15/16]			
YA39LB	750 kcmil	--	500 kcmil (1225/24)	500 kcmil (1372/24)	500 kcmil (5054/30)	500 kcmil (2691/34)	635.3 kcmil (1325/24)	--	M16 [5/8]	47.0 [1.85]	48.0 [1.89]	17.5 [.69]	108.5 [4.27]	22.4 [.88]	33.0 [.130]	6.9 [.27]	26.9 [1.06]	24	BLACK	DIE SET	UBCRT 2	UBCRT 2	UBCRT 2	UBCRT 2	--	--	49.3 [1-15/16]				
YA40LB	800 kcmil	--	600 kcmil (427 STR)	--	--	--	--	--	--	M16 [5/8]	47.0 [1.85]	49.5 [1.95]	17.5 [.69]	108.5 [4.27]	23.9 [.94]	34.3 [1.35]	7.6 [.30]	25.4 [1.00]	25	ORANGE	DIE SET	UBCRT 2	UBCRT 2	UBCRT 2	UBCRT 2	--	--	49.3 [1-15/16]			
YA44LB	1000 kcmil	--	600 kcmil (703 STR)	600 kcmil (1470/24)	--	--	600 kcmil (14945/34)	--	--	M16 [5/8]	47.0 [1.85]	55.3 [2.18]	17.5 [.69]	122.4 [4.82]	16.8 [.66]	37.8 [1.49]	8.4 [.32]	34.0 [1.34]	27	WHITE	DIE SET	UBCRT 2	UBCRT 2	UBCRT 2	UBCRT 2	--	--	49.3 [1-15/16]			
YA46LB	1500 kcmil	--	750 kcmil (427 STR)	750 kcmil (703 STR)	650 kcmil (1596/24)	600 kcmil (5985/30)	--	777.7 kcmil (1325/24)	--	M16 [5/8]	50.8 [2.00]	68.3 [2.69]	20.5 [.81]	139.7 [5.50]	28.4 [1.12]	46.7 [1.84]	8.6 [.34]	28.7 [1.13]	31	GREEN	DIE SET	UBCRT 2	UBCRT 2	UBCRT 2	UBCRT 2	--	--	52.4 [2-1/16]			

- NOTES:
- YABC-LB IS NOT COLOR CODED.
 - SIZES 36 AND SMALLER ARE COLOR CODE INK MARKED COMPLETELY AROUND BARREL SIZES 37 AND LARGER ARE COLOR CODE INK MARKED FOR 150° CIRCUMFERENTIALLY ON THE TOP OF THE BARREL.
 - TYPE Y34P INDENTOR WITH ADAPTER Y35P3.
 - U-DIES WITH ADAPTER PT-6515.
 - U-DIES WITH ADAPTER P-UADP.
 - LETTERING ON TONGUE REFERS TO FLEXIBLE/EXTRA FLEXIBLE CABLE SIZES ACCOMMODATED AND APPLICABLE DIE INDEX NUMBER.
 - LETTERING INFORMATION ON NATIONAL ELECTRIC CODE CONDUCTORS ACCOMMODATED IS ON COLOR CODED BARREL.
 - THIS BELLED CONNECTOR LINE IS LISTED BY UL AND IS INCLUDED IN CSA APPROVAL.
 - THE MINIMUM AS LISTED LESS .030.
 - MEASURED TO THE SHORTEST POINT ON THE BELL.
 - DIMENSIONS IN BRACKETS [] ARE IN INCHES.
 - MATERIAL : COPPER
FINISH: TIN PLATED



CATALOG NUMBER	TOLERANCE ALLOWANCE					
	KEY LETTER					
	B	C	K	L \triangleleft 10	N	O.D.
YA8CLB THRU YA25LB		± 0.8 [.03]	± 0.5 [.02]	± 1.8 [.07]	± 0.8 [.03]	± 0.15 [.006]
YA26LB THRU YA34LB	\triangleleft 9	± 0.8 [.03]	± 0.5 [.02]	± 2.5 [.10]	± 0.8 [.03]	± .020 [.008]
YA36LB THRU YA46LB		± 1.5 [.06]	± 0.5 [.02]	± 3.8 [.15]	± 1.5 [.06]	± 0.25 [.010]

REFERENCE : FD89524

TO ORDER BURNDY® PRL

HYLUG™, (COPPER BELLED)

ITEM NO: N/A
 CAT. NO: YA--LB (TABLE)
 DRAWN BY: H.C. 06/09/84
 CHECKER: AJM 06/28/11
 DSN APPVL: --
 MFG APPVL: --
 QA APPVL: --
 MKT APPVL: --

SCALE: 5:1

PROD FAM: CM&R COMPRESSION
 PROJECT #: --
 DOCUMENT TYPE: Sales
 REL LEVEL: Released

DRAWING NO: SE089523-01
 SHEET 1 OF 1

REV: F 6/9/2011 12:00:00 AM UPDATED AS PER ECO WRAP 24757 AD MA